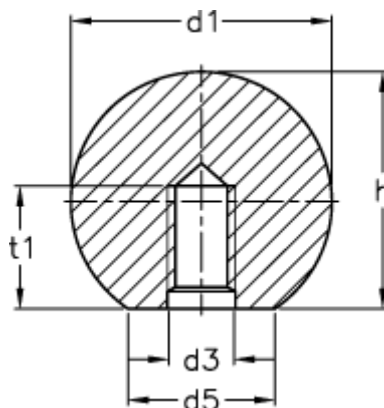


Article number: 20126451RT

Description: E+G Ball knob DIN 319-KU-35-M10-C-RT

Measures



d1	= 35
d3	= M10
d5	= 18
h	= 32.5
t1 min.	= 18.0